

Figure 4.1 Tile Dimensions

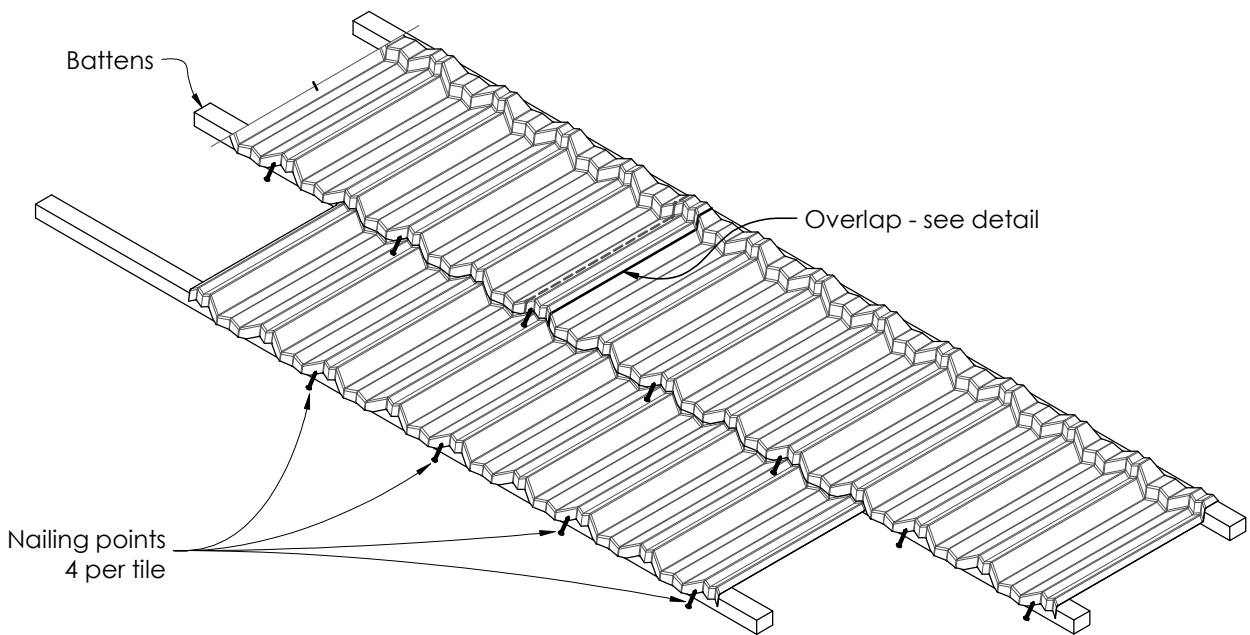


Figure 4.2 Nailing Detail

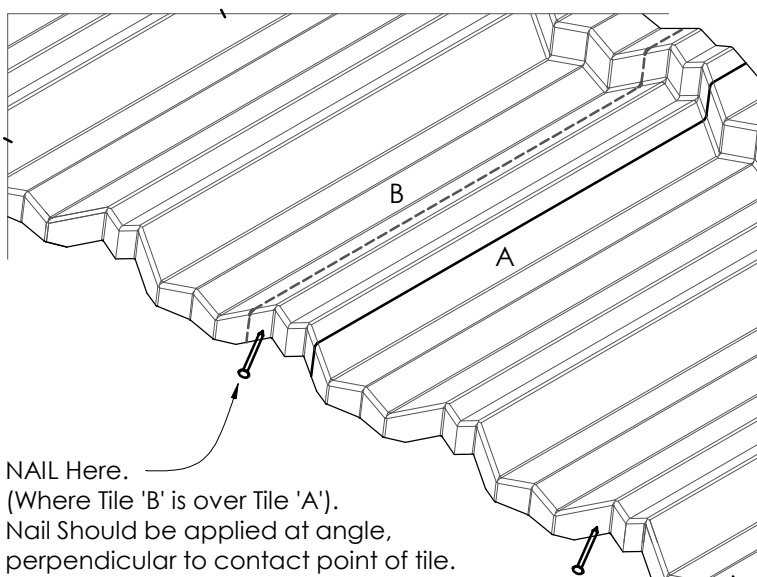


Figure 4.3 Overlap Detail

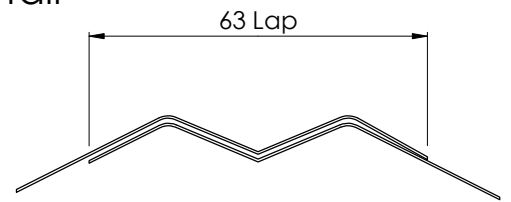
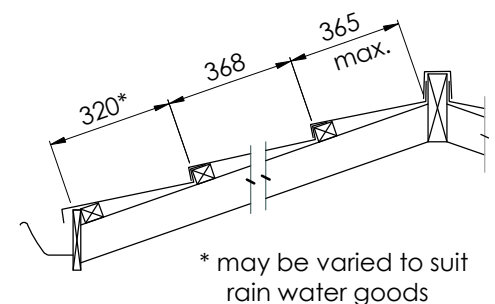


Figure 4.4 Lap Section



\* may be varied to suit rain water goods

Figure 4.5 Batten Layout